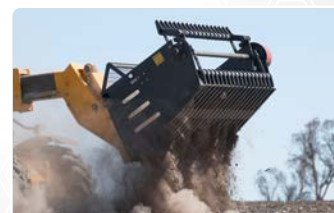
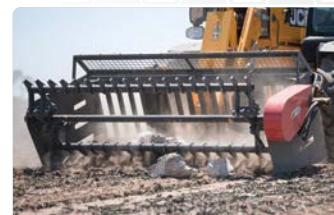


EXTREME DUTY ROCK PICKER



SUITABLE FOR TELEHANDLER
AND WHEEL LOADERS



FEATURES

- » Sieve bar back frame for high visibility
- » Double arm bidirectional rotation reel
- » High tensile tyne & Bissalloy fingers
- » High torque hydraulic motor & pressure relief valve
- » Includes mount, hoses and couplings

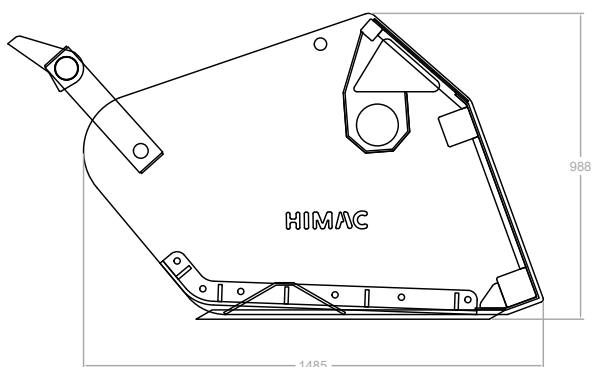
OPTIMAL ROCK SIZE

100 - 500 MM

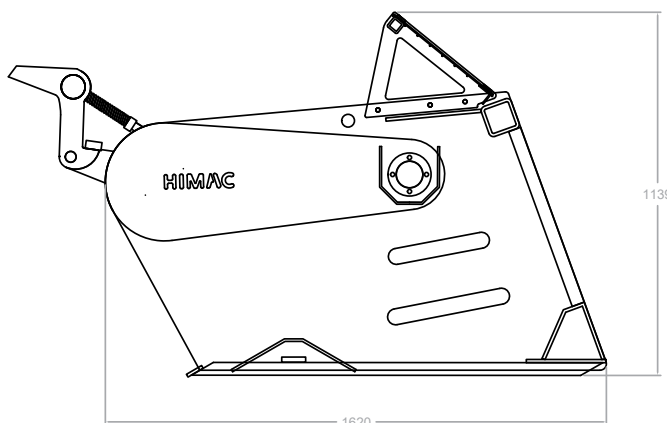
REQUIRED FLOW

40 - 80 LPM

CODE	DESCRIPTION	TYNE SPACING	WORK WIDTH	LOAD CAPACITY	VOLUME	WEIGHT	PRICE
RP24AG	2400 mm Rock Picker	75 mm	2350 mm	1500 kg	1.10 m ³	850 kg	GET QUOTE
RP24T	2400 mm Extreme Duty Rock Picker	90 mm	2380 mm	2350 kg	1.65 m ³	1280 kg	



RP24AG
HEAVY DUTY Euro / Telehandler Model
Suitability: 2-3 T Capacity



RP24T
EXTREME DUTY Telehandler / Wheel Loader Model
Suitability: 3-6 T Capacity



HARD WORK
MADE EASY

1800 888 114

himac.com.au

HEAVY DUTY ROCK PICKER



SUITABLE FOR AG LOADERS 150+ HP
AND SMALL TELEHANDLERS



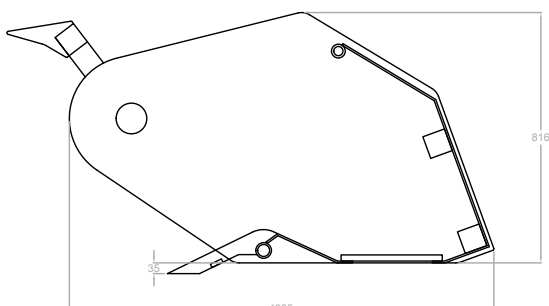
FEATURES

- » Sieve bar back frame for high visibility
- » Single arm with bidirectional rotation reel
- » High tensile tyne & Bissalloy fingers
- » Adjustable depth control skids for ease of use on Ag Loaders
- » Includes mount, hoses and couplings

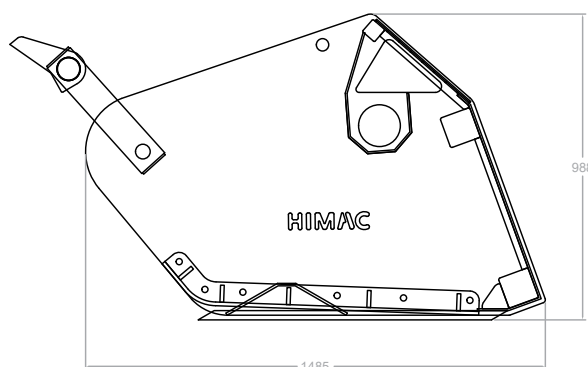
OPTIMAL ROCK SIZE
100 - 500 MM

REQUIRED FLOW
40 - 80 LPM

CODE	DESCRIPTION	TYNE SPACING	WORK WIDTH	LOAD CAPACITY	VOLUME	WEIGHT	PRICE
RP16E	1810 mm Rock Picker	70 mm	1600 mm	Up to 1000 kg	0.60 m ³	470 kg	GET QUOTE
RP20E	2210 mm Rock Picker		2000 mm		0.75 m ³	560 kg	
RP24AGE	2400 mm Rock Picker	75 mm	2350 mm	1500 kg	1.10 m ³	850 kg	



RP16E / RP20E
STANDARD Skid Steer / Euro Model
Suitability: Up to 140 HP



RP24AGE
HEAVY DUTY Euro / Telehandler Model
Suitability: 150+ HP



**HARD WORK
MADE EASY**

1800 888 114

himac.com.au