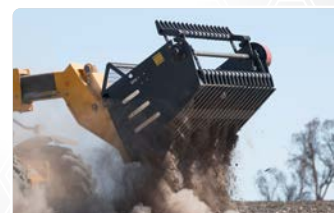
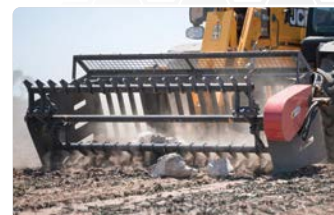


EXTREME DUTY ROCK PICKER



SUITABLE FOR TELEHANDLER
AND WHEEL LOADERS



FEATURES

- » Sieve bar back frame for high visibility
- » Double arm bidirectional rotation reel
- » High tensile tyne & Bissalloy fingers
- » High torque hydraulic motor & pressure relief valve
- » Includes mount, hoses and couplings

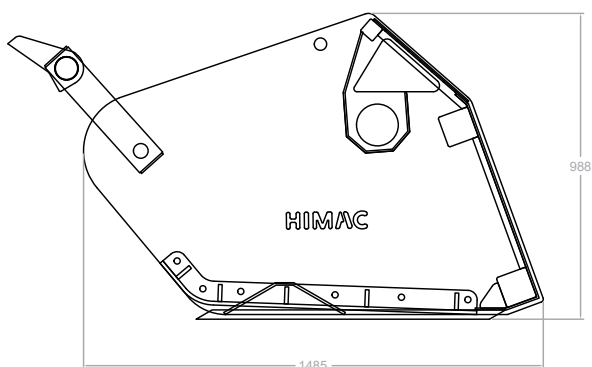
OPTIMAL ROCK SIZE

100 - 500 MM

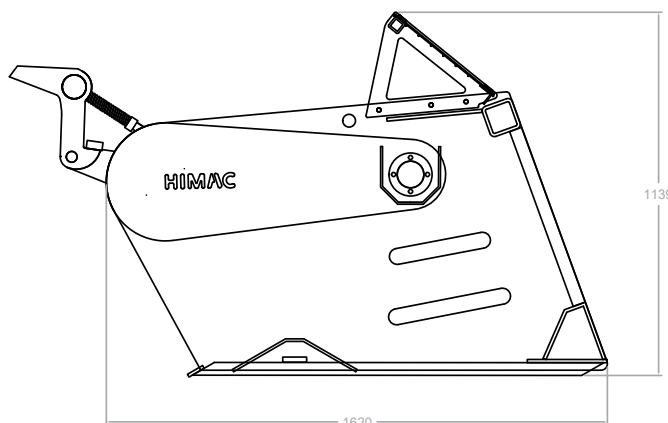
REQUIRED FLOW

40 - 80 LPM

| CODE | DESCRIPTION | TYNE SPACING | WORK WIDTH | LOAD CAPACITY | VOLUME | WEIGHT | PRICE |
|--------|----------------------------------|--------------|------------|---------------|---------------------|---------|------------------|
| RP24AG | 2400 mm Rock Picker | 75 mm | 2350 mm | 1500 kg | 1.10 m ³ | 850 kg | GET QUOTE |
| RP24T | 2400 mm Extreme Duty Rock Picker | 90 mm | 2380 mm | 2350 kg | 1.65 m ³ | 1280 kg | |



RP24AG
HEAVY DUTY Euro / Telehandler Model
Suitability: 2-3 T Capacity



RP24T
EXTREME DUTY Telehandler / Wheel Loader Model
Suitability: 3-6 T Capacity



HARD WORK
MADE EASY

1800 888 114

himac.com.au